

# Ⓑ - models

HO - 1:87

---

**Van Biervliet .com**

*Budget - Line*

HO - 1:87

---

**Euro-Tank-Car .eu**

HO - 1:87

Scale 1 - 1:32

---

**Complete new production ! Not based on Märklin models. -- Central motor with dual flywheel and LED lights**

New 21-pin ESU Sound decoder V4-M4-Railcom+ with original registered sound of the model.

Fine printings and details for each model, as in reality !  
Top headlight can be switched on/off. Cabine light  
With metal parts, spring buffers and opening doors.



Neukonstruktion mit vorbildgerechten Formänderungen  
Zentral eingebauter Motor mit zwei Schwungmassen.  
Federpuffer und zu öffnende Türen  
Komplett neue Sounddateien ESU V4/M4/Railcom +

Beleuchtung mit warm-weissen LED  
Beleuchteter Führerstand  
Ausschaltbares 3° Spitzenlicht (Digital)  
Ausschaltbares rote Schlussbeleuchtung (Digital)

NMBS 5512



Ep IV

20.103	DC =	
20.803	DC = digital	22.103 AC ~ digital
21.103	DC = digit.Sound	23.103 AC ~ digit.Sound

CFL 1803



Ep V

20.200	DC =	
20.900	DC = digital	22.200 AC ~ digital
21.200	DC = digit.Sound	23.200 AC ~ digit.Sound

CFL 1808



Ep V

- |        |                  |        |                  |
|--------|------------------|--------|------------------|
| 20.201 | DC =             | 22.201 | AC ~ digital     |
| 20.901 | DC = digital     | 23.201 | AC ~ digit.Sound |
| 21.201 | DC = digit.Sound |        |                  |

CFL Cargo 1820  
'Bettembourg'



Ep V-VI

- |        |                  |        |                  |
|--------|------------------|--------|------------------|
| 20.202 | DC =             | 22.202 | AC ~ digital     |
| 20.902 | DC = digital     | 23.202 | AC ~ digit.Sound |
| 21.202 | DC = digit.Sound |        |                  |

NMBS 5506 TVM



Ep V-VI

- |        |                  |        |                  |
|--------|------------------|--------|------------------|
| 20.108 | DC =             | 22.108 | AC ~ digital     |
| 20.808 | DC = digital     | 23.108 | AC ~ digit.Sound |
| 21.108 | DC = digit.Sound |        |                  |

NMBS 5514 TVM



Ep V-VI

- |        |                  |        |                  |
|--------|------------------|--------|------------------|
| 20.111 | DC =             | 22.111 | AC ~ digital     |
| 20.811 | DC = digital     | 23.111 | AC ~ digit.Sound |
| 21.111 | DC = digit.Sound |        |                  |

NMBS 5525



Ep IV

- |        |                  |        |                  |
|--------|------------------|--------|------------------|
| 20.114 | DC =             | 22.114 | AC ~ digital     |
| 20.814 | DC = digital     | 23.114 | AC ~ digit.Sound |
| 21.114 | DC = digit.Sound |        |                  |

CFL 1818



Ep VI

- |        |                  |        |                  |
|--------|------------------|--------|------------------|
| 20.203 | DC =             | 22.203 | AC ~ digital     |
| 20.903 | DC = digital     | 23.203 | AC ~ digit.Sound |
| 21.203 | DC = digit.Sound |        |                  |

NMBS 5508



Ep IV-V

- 20.113 DC =
- 20.813 DC = digital
- 21.113 DC = digit.Sound
- 22.113 AC ~ digital
- 23.113 AC ~ digit.Sound

NMBS 5505



- Ref. / Version
- 20.115 DC =
  - 20.815 DC = digital
  - 21.115 DC = digit.Sound
  - 22.115 AC ~ digital
  - 23.115 AC ~ digit.Sound

NMBS 5519



- Ref. / Version
- 20.116 DC =
  - 20.816 DC = digital
  - 21.116 DC = digit.Sound
  - 22.116 AC ~ digital
  - 23.116 AC ~ digit.Sound

NMBS 205.002



- Ref. / Version
- 20.117 DC =
  - 20.817 DC = digital
  - 21.117 DC = digit.Sound
  - 22.117 AC ~ digital
  - 23.117 AC ~ digit.Sound

NMBS 5504



- Ref. / Version
- 20.118 DC =
  - 20.818 DC = digital
  - 21.118 DC = digit.Sound
  - 22.118 AC ~ digital
  - 23.118 AC ~ digit.Sound

# Diesel Vossloh G 2000

Correct models - new bodies - moving coupler - **modern** roof - detailed printings

**Complete new production !** Not based on Mehano models.

Developed with original plans of Vossloh G2000

New 21-pin ESU Sound decoder V4-M4-Railcom+ with original registered sound of the model

Printings, details and revision are different for each model, as you can see in reality !

Top headlight can be switched on/off. Claxons on top of cabins, at both sides. With metal parts

We deliver our models in : DC, DC digital, DC digital Sound , AC digital and AC digital Sound Mfx

**Look at our website : [www.B-models.be](http://www.B-models.be)** for more details of the models or ask your dealer

NMBS 5704



3004.01	DC =	3004.04	AC ~ digital
3004.02	DC = digital	3004.05	AC ~ digit.Sound
3004.03	DC = digit.Sound		

ECR 1 : grey



3008.01	DC =	3008.04	AC ~ digital
3008.02	DC = digital	3008.05	AC ~ digit.Sound
3008.03	DC = digit.Sound		

ECR 2 : yellow



- 3009.01 DC =
- 3009.02 DC = digital
- 3009.03 DC = digit.Sound
- 3009.04 AC ~ digital
- 3009.05 AC ~ digit.Sound

NMBS 5707



- 3007.01 DC =
- 3007.02 DC = digital
- 3007.03 DC = digit.Sound
- 3007.04 AC ~ digital
- 3007.05 AC ~ digit.Sound

1102 RRF



- 3013.01 DC =
- 3013.02 DC = digital
- 3013.03 DC = digit.Sound
- 3013.04 AC ~ digital
- 3013.05 AC ~ digit.Sound

1615 Europorte



- |         |                  |         |                  |
|---------|------------------|---------|------------------|
| 3015.01 | DC =             | 3015.04 | AC ~ digital     |
| 3015.02 | DC = digital     | 3015.05 | AC ~ digit.Sound |
| 3015.03 | DC = digit.Sound |         |                  |

Railtraxx



- |         |                  |         |                  |
|---------|------------------|---------|------------------|
| 3011.01 | DC =             | 3011.04 | AC ~ digital     |
| 3011.02 | DC = digital     | 3011.05 | AC ~ digit.Sound |
| 3011.03 | DC = digit.Sound |         |                  |

1446 HUSA



- |         |                  |         |                  |
|---------|------------------|---------|------------------|
| 3016.01 | DC =             | 3016.04 | AC ~ digital     |
| 3016.02 | DC = digital     | 3016.05 | AC ~ digit.Sound |
| 3016.03 | DC = digit.Sound |         |                  |



1755 Europorte



- 3018.01 DC =
- 3018.02 DC = digital
- 3018.03 DC = digit.Sound
- 3018.04 AC ~ digital
- 3018.05 AC ~ digit.Sound

1105 RRF



- 3020.01 DC =
- 3020.02 DC = digital
- 3020.03 DC = digit.Sound
- 3020.04 AC ~ digital
- 3020.05 AC ~ digit.Sound

Colas Rail 202



- 3026.01 DC =
- 3026.02 DC = digital
- 3026.03 DC = digit.Sound
- 3026.04 AC ~ digital
- 3026.05 AC ~ digit.Sound

Thx to Wikipedia - Mallet15

Rurtalbahn V 204



- |         |                  |                          |
|---------|------------------|--------------------------|
| 3021.01 | DC =             |                          |
| 3021.02 | DC = digital     | 3021.04 AC ~ digital     |
| 3021.03 | DC = digit.Sound | 3021.05 AC ~ digit.Sound |

Rurtalbahn V 206



- |         |                  |                          |
|---------|------------------|--------------------------|
| 3022.01 | DC =             |                          |
| 3022.02 | DC = digital     | 3022.04 AC ~ digital     |
| 3022.03 | DC = digit.Sound | 3022.05 AC ~ digit.Sound |

NMBS 5708



- |         |                  |                          |
|---------|------------------|--------------------------|
| 3008.01 | DC =             |                          |
| 3008.02 | DC = digital     | 3008.04 AC ~ digital     |
| 3008.03 | DC = digit.Sound | 3008.05 AC ~ digit.Sound |



Rurtalbahnhof V 201

- 3028.01 DC =
- 3028.02 DC = digital
- 3028.03 DC = digit.Sound

- 3028.04 AC ~ digital
- 3028.05 AC ~ digit.Sound

RHB 905



- 3024.01 DC =
- 3024.02 DC = digital
- 3024.03 DC = digit.Sound
- 3024.04 AC ~ digital
- 3024.05 AC ~ digit.Sound

RHB 907



- 3025.01 DC =
- 3025.02 DC = digital
- 3025.03 DC = digit.Sound
- 3025.04 AC ~ digital
- 3025.05 AC ~ digit.Sound



Pict : Gabriele Fontana

- 3027.01 DC =
- 3027.02 DC = digital
- 3027.03 DC = digit.Sound

- 3027.04 AC ~ digital
- 3027.05 AC ~ digit.Sound

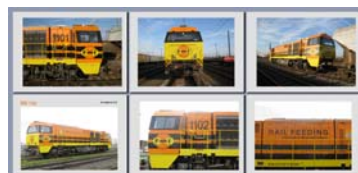
5710



- 3023.01 DC =
- 3023.02 DC = digital
- 3023.03 DC = digit.Sound
- 3023.04 AC ~ digital
- 3023.05 AC ~ digit.Sound

Collect your FREE - photobook !

When you buy 2 G2000 loco's from B-models you receive a free 134 pages book about the G2000 loco's



Our famous Container Cars loaded with our own B-models 20ft and 40 ft containers

Now we have also containercars loaded with 30ft bulk-containers and also cars with frigo - reefer containers

Ref. 45.122 Set 2 wagons D-ERR IFB-TRW



Ref. 45.127 Set 2 wagons D-ERR TRW



Ref. 45.128 Set 2 wagons D-AAEC DLC



Ref. 45.130 Set 2 wagons SBB Cargo



Ref. 45.131 Set 2 wagons B-AAE TRW



Ref. 45.132 Set 2 wagons SBB Cargo



Ref. 45.133 Braun - Set 2 wagens mit containers

SNCB / NMBS ICF



Ref. 45.134 Grey - Set of 2 cars with containers

D-AAEC - Sogemar Milano



Vermietet an / Noleggiato a :  
 Sogemar S.p.A.  
 Via Magenta, 60  
 I-20017 Lucernate di Rho (Milano)  
 Tel.: +39 -02-9335 1  
 Fax: +39 02-9335 214

Ref. 45.135 Grau - Set 2 wagens mit containers

AAE ICF



Vermietung an  
 ICF Margarethenstr. 38  
 CH - 4008 Basel  
 Fax : (4161) 6953360  
 UIC  
 Heimatbahnhof:  
 Alstette

Have also a look at our new website and extra info of the containercars  
[www.B-models.be](http://www.B-models.be) and [www.euro-tank-car.eu](http://www.euro-tank-car.eu)

Ref. 45.136 Grey - Set 2 wagons mit containers CH-HUPAC



Ref. 45.137 Braun - Set 2 wagons mit containers TOUAX



You have an idea for other versions ? Just mail us and we have a look to produce !

[contact@b-models.be](mailto:contact@b-models.be)

- First brand which makes this model with the typical welding on the car sides
- working spring buffers, 4 different car numbers available (set A and set B)
- detail parts assembled by hand and extra reserve parts added in the box.
- Fine metal railings on the roof of the car !

- Erstes Modell dieses Wagens mit der Nachbildung der typischen Schweißnähte an den Seitenwänden
- Federpuffer, Filigrane Geländer auf dem Dach des Wagens
- 4 verschiedene Wagennummern erhältlich (set A und set B)
- Zurüüsteile sind schon montiert, zusätzlich liegen Teile als Ersatz bei.



**Ref. 45.308 Set A - Ref. 45.309 Set B**

**NMBS / SNCB 'CITA'**



**Ref. 45.312 Set A - Ref. 45.313 Set B**

**NMBS / SNCB 'Amylum - Cita'**



**Ref. 45.316 Set A - Ref. 45.317 Set B**

**NMBS / SNCB 'Transcéréales'**





Ref. 45.324 Set A - Ref. 45.325 Set B

SNCF 'GDS MOULINS STORIONE'



Ref. 45.326 Set A - Ref. 45.327 Set B

SNCF 'Cargill'



Ref. 45.334 Set A - Ref. 45.335 Set B

SNCF 'Granit'



Ref. 45.338 Set A - Ref. 45.339 Set B

SNCF 'Transcéréales C.T.C.'



Ref. 45.406 Set A - Ref. 45.407 Set B

2 Wagen mit Beladung



Ref. 45.414 Set A - Ref. 45.415 Set B

2 cars with loads

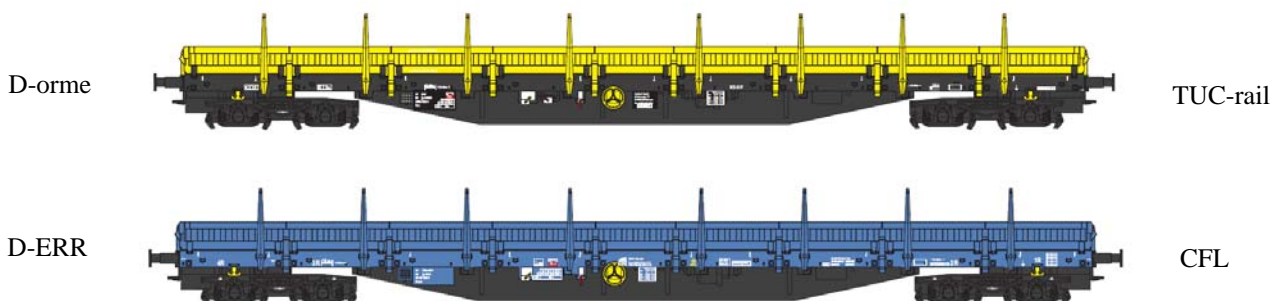


Ref. 45.416 Set A - Ref. 45.417 Set B

2 Wagen mit Beladung



Modell in Vorbereitung 2015—Models in preparation for 2015 :



# ReGs wagens beladen mit containers

Ref. 45.501

NMBS / SNCB

Wagen Set mit Container Beladung



Ref. 45.503

NMBS / SNCB

2 cars with containers



Ref. 45.504

NMBS / SNCB

Wagen Set mit Container Beladung



Ref. 45.505

NMBS / SNCB

2 cars with containers



Frigo - Reefer container

# Rils bache wagens

Ref. 45.610 Set A - Ref. 45.611 Set B

Railion DB Logistics



Ref. 45.612 Set A - Ref. 45.613 Set B

D-DB



Ref. 45.624 Set A - Ref. 45.625 Set B

NMBS / SNCB 'B-TRWBE' Vittel



Ref. 45.626 Set A - Ref. 45.627 Set B

SNCF



# Rils bache wagens

Ref. 45.628 Set A - Ref. 45.629 Set B

F-ERSA Ermewa



**NEW!**

Ref. 45.630 Set A - Ref. 45.631 Set B

D-DB Railion



**NEW!**

Ref. 45.634 Set A - Ref. 45.635 Set B

F-SNCF Ermewa-Sati



**NEW!**

Ref. 45.636 Set A - Ref. 45.637 Set B

SJ Green Cargo



Foto : goederenwagens.nl

# Erts wagens - wagons minéraliers

Ref. 45.208 Set A - Ref. 45.209 Set B

NMBS / SNCB 'VTG'



Ref. 45.212 Set A - Ref. 45.213 Set B

D-VTGD 'VTG'



Ref. 45.214 Set A - Ref. 45.215 Set B

D-VTGD 'VTG'



Ref. 45.216 Set A - Ref. 45.217 Set B

NMBS / SNCB 'B-XPS'



# Erts wagens - wagons minéraliers

Ref. 45.224 Set A - Ref. 45.225 Set B

SNCF 'USINOR'



Ref. 45.226 Set A - Ref. 45.227 Set B

SNCF 'USINOR Longwy'



Ref. 45.228 Set A - Ref. 45.229 Set B

SNCF 'CNM'



Ref. 45.230 Set A - Ref. 45.321 Set B

CFL 'ARBED'



*mit Beladung! with loads*

# Eaos - Fas wagens

Ref. 47.104 Set A - Ref. 47.105 Set B

Eaos

NMBS / SNCB



*mit Beladung! with loads*

Ref. 47.116 Set A - Ref. 47.117 Set B

Eaos

NMBS / SNCB



*met Belading! avec chargements*

Ref. 47.410 Set A - Ref. 47.411 Set B

Fas B-cargo

NMBS / SNCB



*mit Beladung! with loads*

Ref. 47.412 Set A - Ref. 47.413 Set B

Fas B-cargo

NMBS / SNCB



*met Belading! avec chargements*



Ref. 45.702 Set A - Ref. 45.703 Set B

Ep. III



Ref. 45.704 Set A - Ref. 45.705 Set B

Ep. III



Ref. 45.706 Set A - Ref. 45.707 Set B

Ep. IV



Ref. 45.708 Set A - Ref. 45.709 Set B

Ep. III



Ref. 45.710 Set A - Ref. 45.711 Set B

Ep. III

**NEW!**



Ref. 45.801 Colli wagens

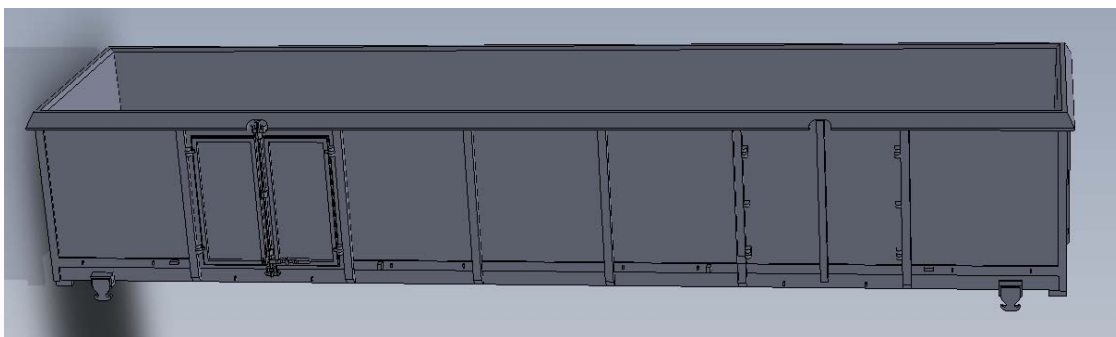
Ep. IV

**NEW!**



# Form Neuheit 2015

NEW!



NEW!

## Wagen Eaos-x 075

### Artikel 47.700

Set mit 2 wagens  
+ Beladung

' DB Schenker '



### Artikel 47.701

Set mit 2 wagens  
+ Beladung

' Railion '



### Artikel 47.702

Set mit 2 wagens  
+ Beladung

' Railion  
DB Logistics '



*NMBS / SNCB*

*Diesel Loco 62*



6207

Ref. / Version		
VB-9108.01	DC =	139,00 €
VB-9108.02	DC = digital	169,00 €
VB-9108.03	DC = digit.Sound	239,00 €
VB-9108.04	AC ~ digital	169,00 €
VB-9108.05	AC ~ digit.Sound	249,00 €

6203

Ref. / Version		
VB-9109.01	DC =	139,00 €
VB-9109.02	DC = digital	169,00 €
VB-9109.03	DC = digit.Sound	239,00 €
VB-9109.04	AC ~ digital	169,00 €
VB-9109.05	AC ~ digit.Sound	249,00 €



6219

Ref. / Version		
VB-9110.01	DC =	139,00 €
VB-9110.02	DC = digital	169,00 €
VB-9110.03	DC = digit.Sound	239,00 €
VB-9110.04	AC ~ digital	169,00 €
VB-9110.05	AC ~ digit.Sound	249,00 €



*NMBS / SNCB*

*Diesel Loco 62*



**6317 Infrabel**

Ref. / Version

VB-9111.01	DC =	139,00 €
VB-9111.02	DC = digital	169,00 €
VB-9111.03	DC = digit.Sound	239,00 €
VB-9111.04	AC ~ digital	169,00 €
VB-9111.05	AC ~ digit.Sound	249,00 €

**6321**

Ref. / Version

VB-9112.01	DC =	139,00 €
VB-9112.02	DC = digital	169,00 €
VB-9112.03	DC = digit.Sound	239,00 €
VB-9112.04	AC ~ digital	169,00 €
VB-9112.05	AC ~ digit.Sound	249,00 €



All the models are available in 2-rail and 3-rail system

The sound version is made with the original sound from the Belgium Diesel loco 62

Complete new construction, 7 different bodies

Neue Konstruktion mit 7 verschiedene Formen

Kompleet nieuwe constructie, 7 verschillende bodies

**Artikel VB-9201 :**

**NMBS / SNCB 5204, 4 lights, with B-logo**

Ref. / Version		
VB-9201.01	DC =	159,00 €
VB-9201.02	DC = Digital	189,00 €
VB-9201.03	DC = dig.Sound	329,00 €
VB-9201.04	AC ~ Digital	189,00 €
VB-9201.05	AC ~ dig.Sound	329,00 €



**Artikel VB-9202 :**

**NMBS - TSP / SNCB - PFT 202.020**

Ref. / Version		
VB-9202.01	DC =	159,00 €
VB-9202.02	DC = Digital	189,00 €
VB-9202.03	DC = dig.Sound	329,00 €
VB-9202.04	AC ~ Digital	189,00 €
VB-9202.05	AC ~ dig.Sound	329,00 €



**Artikel VB-9203 :**

**CFL 1603, 3 lights with round CFL logo**

Ref. / Version		
VB-9203.01	DC =	159,00 €
VB-9203.02	DC = Digital	189,00 €
VB-9203.03	DC = dig.Sound	329,00 €
VB-9203.04	AC ~ Digital	189,00 €
VB-9203.05	AC ~ dig.Sound	329,00 €



Philippe Debiève ses Photos

**NEW sound decoder from ESU V4/M4/Railcom + with original NOHAB sound ! and more than 20 functions !**

**LOW price ! ESU SOUND decoder + the ESU smoke generator system**

**Artikel VB-9204 :**

**DSB loc 1159 with 5 lights, 2 little red lights**

Ref. / Version		
VB-9204.01	DC =	159,00 €
VB-9204.02	DC = Digital	189,00 €
VB-9204.03	DC = dig.Sound	329,00 €
VB-9204.04	AC ~ Digital	189,00 €
VB-9204.05	AC ~ dig.Sound	329,00 €



**Artikel VB-9205 :**

**DSB loc 1158 ContecRail**

Ref. / Version		
VB-9205.01	DC =	159,00 €
VB-9205.02	DC = Digital	189,00 €
VB-9205.03	DC = dig.Sound	329,00 €
VB-9205.04	AC ~ Digital	189,00 €
VB-9205.05	AC ~ dig.Sound	329,00 €



**Artikel VB-9206 :**

**TMY 1150 Railcare**

Ref. / Version		
VB-9206.01	DC =	159,00 €
VB-9206.02	DC = Digital	189,00 €
VB-9206.03	DC = dig.Sound	329,00 €
VB-9206.04	AC ~ Digital	189,00 €
VB-9206.05	AC ~ dig.Sound	329,00 €



**ab .. 159 euro !**

**Artikel VB-9207 :**

**SNCB / NMBS loc 5404 with 5 lights**

Ref. / Version		
VB-9207.01	DC =	159,00 €
VB-9207.02	DC = Digital	189,00 €
VB-9207.03	DC = dig.Sound	329,00 €
VB-9207.04	AC ~ Digital	189,00 €
VB-9207.05	AC ~ dig.Sound	329,00 €



**Artikel VB-9208 :**

**Hungarian loco MAV M61.0**

Ref. / Version		
VB-9208.01	DC =	159,00 €
VB-9208.02	DC = Digital	189,00 €
VB-9208.03	DC = dig.Sound	329,00 €
VB-9208.04	AC ~ Digital	189,00 €
VB-9208.05	AC ~ dig.Sound	329,00 €



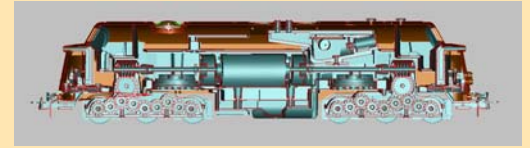
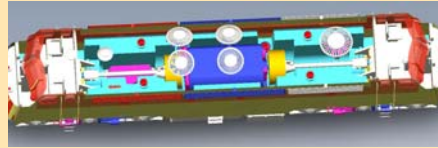
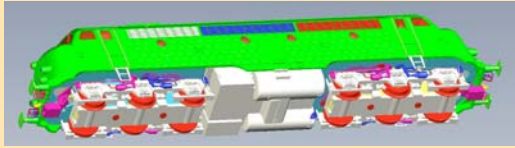
**Artikel VB-9209 :**

**Hungarian loco M61 019**

Ref. / Version		
VB-9209.01	DC =	159,00 €
VB-9209.02	DC = Digital	189,00 €
VB-9209.03	DC = dig.Sound	329,00 €
VB-9209.04	AC ~ Digital	189,00 €
VB-9209.05	AC ~ dig.Sound	329,00 €







## Artikel VB-9210 :

SNCB / NMBS loc 5319 with 4 lights

Ref. / Version		
VB-9210.01	DC =	159,00 €
VB-9210.02	DC = Digital	189,00 €
VB-9210.03	DC = dig.Sound	329,00 €
VB-9210.04	AC ~ Digital	189,00 €
VB-9210.05	AC ~ dig.Sound	329,00 €



## Artikel VB-9211 :

SNCB / NMBS loc 5406 with 5 lights

Ref. / Version		
VB-9211.01	DC =	159,00 €
VB-9211.02	DC = Digital	189,00 €
VB-9211.03	DC = dig.Sound	329,00 €
VB-9211.04	AC ~ Digital	189,00 €
VB-9211.05	AC ~ dig.Sound	329,00 €



## Special Edition for Altmark : Altmark - Rail My 1155



Modern Knick-tankcar with detailed printings and spring buffers. Tankcar with real 'knick', also on platform  
Moderne Knick-Kesselwagens mit detaillierte Bedruckung und Federpuffer, mit 'knick' am platform !



**Set of 2 cars - special price : 54,90 euro !**  
**Set mit 2 wagons - SONDERPREIS : 54,90 euro !**



VB-81006



Set-preis : 54,90 €

Set 2 wagons 'GATX' D-GATXD

VB-81014 - Rerun / new numbers



Set-preis : 54,90 €

Set 2 wagons 'KVG-ESSO' NMBS/SNCB

VB-81015 - Rerun / new numbers



Set-preis : 54,90 €

Set 2 wagons 'GATX' D-GATXD

VB-81016



Set-preis : 54,90 €

Set 2 wagons 'Wascosa' A-WASCO

VB-81017 - Set 1



Set-preis : 54,90 €

Set 2 wagons 'Wascosa' D-WASCO

VB-81018 - Set 2



Set-preis : 54,90 €

Set 2 wagons 'Wascosa' D-WASCO

VB-81019



Set-preis : 54,90 €

Set 2 wagons 'Ermewa-Tamoil' NMBS/SNCB

VB-81020



Set-preis : 54,90 €

Set 2 wagons 'KVG' DB

VB-81021



Set-preis : 54,90 €

Set 2 wagons 'CAIB' NMBS/SNCB

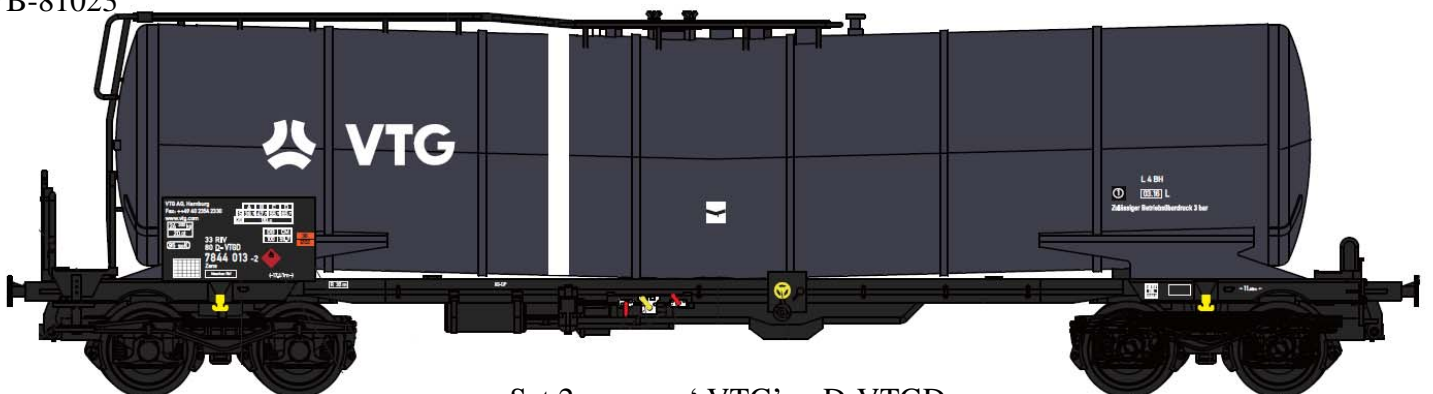
VB-81022



Set-preis : 54,90 €

Set 2 wagons 'GATX' D-GATXD

VB-81023



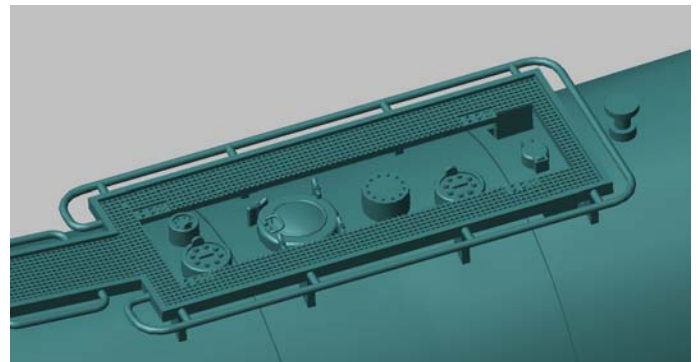
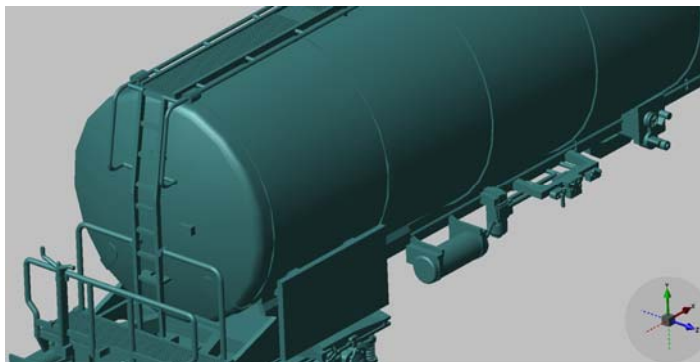
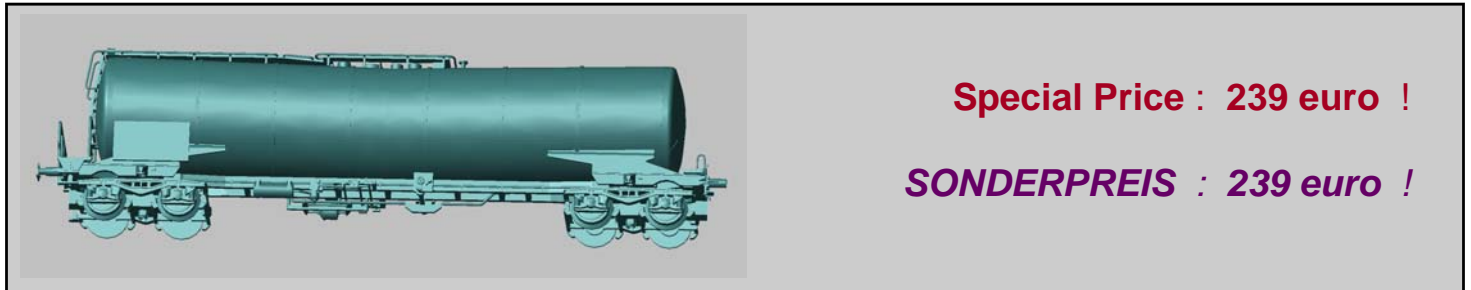
Set 2 wagons 'VTG' D-VTGD

# Spur 1 - 1:32 - Scale 1

Modern Knick-tankcar with detailed printings and spring buffers. Tankcar with real 'knick', also on platform  
Metal parts and ... a Nice price !

Each reference is only made in an edition of only 50 pcs pro number.

Moderne Knick-Kesselwagens mit detaillierte Bedruckung und Federpuffer, mit 'knick' am platform !



Artikel : SP-1011 : Knick-Kesselwagen ' GATX '



# Spur 1 - 1:32 - Scale 1

Artikel : SP-1021 : Knick-Kesselwagen 'Wascosa'



Artikel : SP-1031 : Knick-Kesselwagen 'KVG'



# Spur 1 - 1:32 - Scale 1

Artikel : SP-1041 : Knick-Kesselwagen ' GATX '



Artikel : SP-1051 : Knick-Kesselwagen ' Millet '



# Tads wagon NMBS - SNCB - NS - DB

Exclusief voor : **Van Biervliet** .com



Ref. VB-83001 : Set mit 3 wagons : ausverkauft - épuisé

Ref. VB-83002 : Set mit 3 wagons, grün, B-Xpedys

Ref. VB-83003 : Set mit 3 wagons wie 83001  
- Neuauflage mit neuer Betriebsnummer



Exklusivartikel bei : **Van Biervliet** .com

info@vanbiervliet.com      Belgien



# Tads wagon NMBS - SNCB - NS - DB

Ref VB-83201 : Set mit 3 wagens Tads - DB 'NACCO'



Ref VB-83202 : Set mit 3 wagens Tads - DB 'NACCO'



# Tremie Balastwagon SNCB - SNCF

Exclusief voor : **Van Biervliet** .com



Set van 3 NMBS Balast wagens - bruine versie met balast belading  
Coffret avec 3 SNCB Tremie wagons - version brune avec chargement de ballast

Set Mit Beladung - Cars with loads - avec chargement

Ref. VB-84001 : Set mit 3 wagons : ausverkauft - épuisé

Ref. VB-84002 : Set mit 3 wagons wie 84001  
- Neuauflage mit neuer Betriebsnummer

Ref. VB-84003 : Set mit 3 wagons 'Infrabel'





# InnoWaggon



ⓑ - models **VIP - Edition**

A complete new construction of a containercar on demand of Innofreight , Knauf and ÖBB  
 Special open construction of the car. Containers with SUPER details, prints and relief.

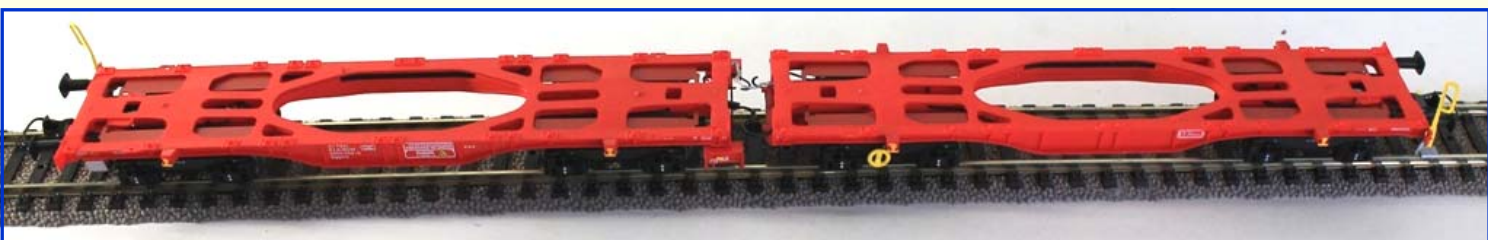


Set of a coupled InnoWaggon containercar, loaded with 6 open containers



set UVP : 109,00 €

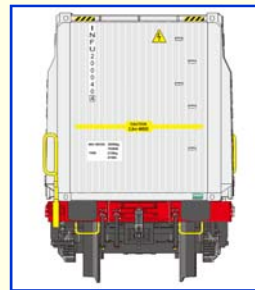
Un tout nouveau type de wagon container pour Innofreight, Knauf et ÖBB  
 Construction spéciale ouverte du wagon. Les containers avec impressions super détaillées



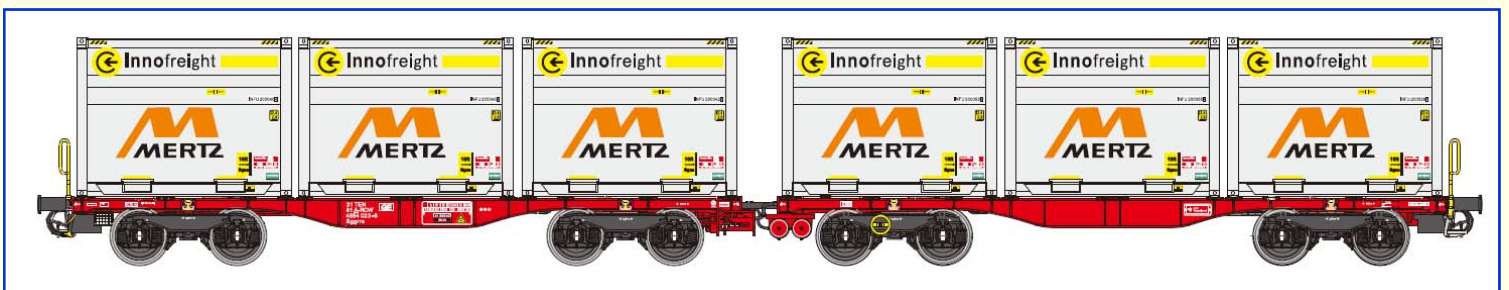


MERTZ

The InnoWaggon's Market Launch for the Railway Development Project Stuttgart 21

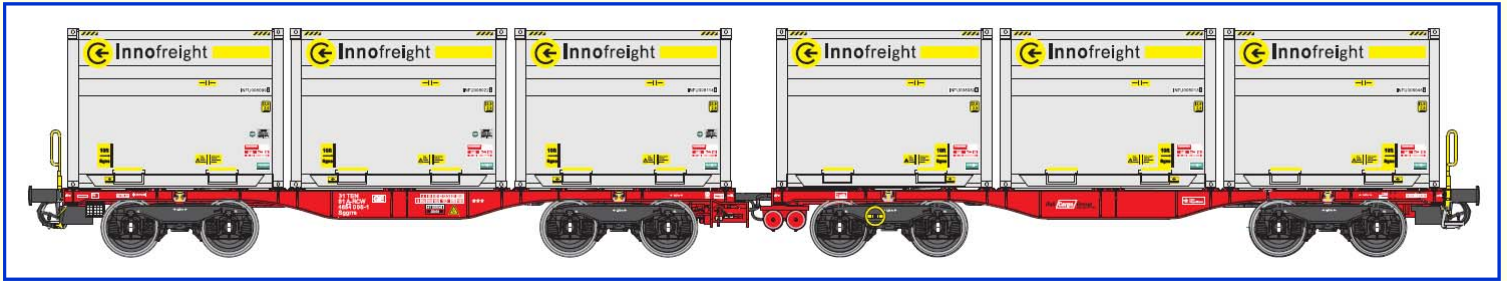


Ref wagonset n° 90.101 : MERTZ



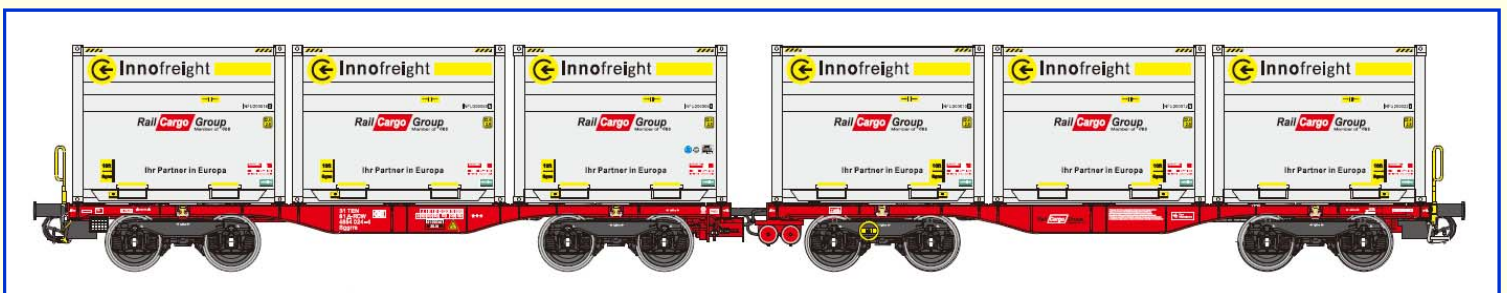
EXKLUSIVES LIZENSIERTES MODELL bei B-models

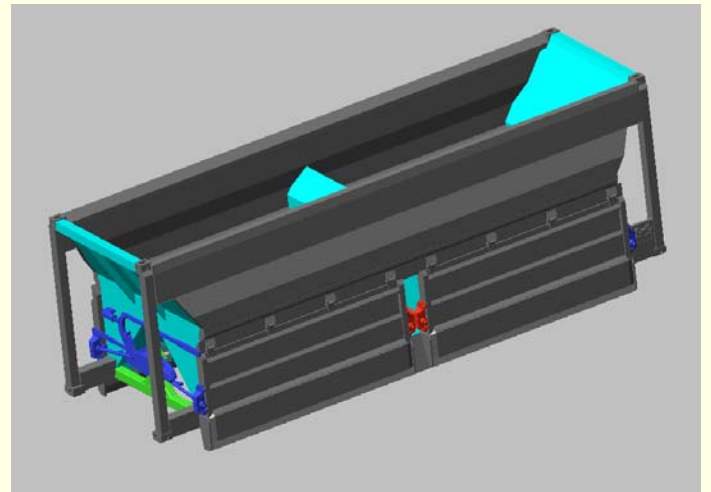
Ref n° : 90.102 Set InnoWaggon, beladen mit 6 containers Innofreight



Wagons im auslieferung ab März/April 2015

Ref n° : 90.103 Set InnoWaggon, beladen mit 6 containers Innofreight - Rail Cargo Group

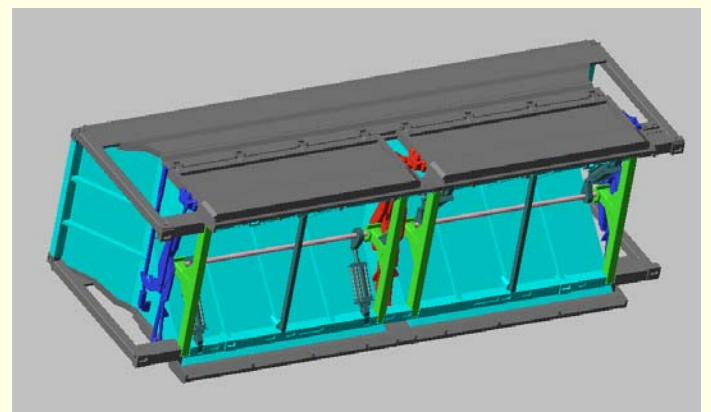




# Innofreight RockTainer ORE

B-models VIP-Edition

Wagons im auslieferung ab Juni 2015





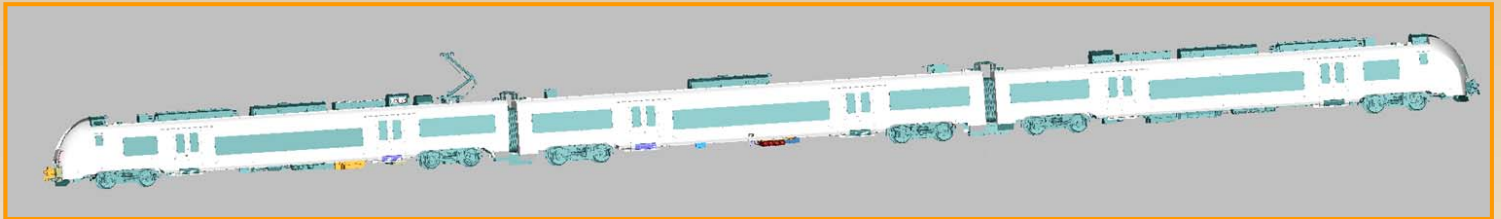
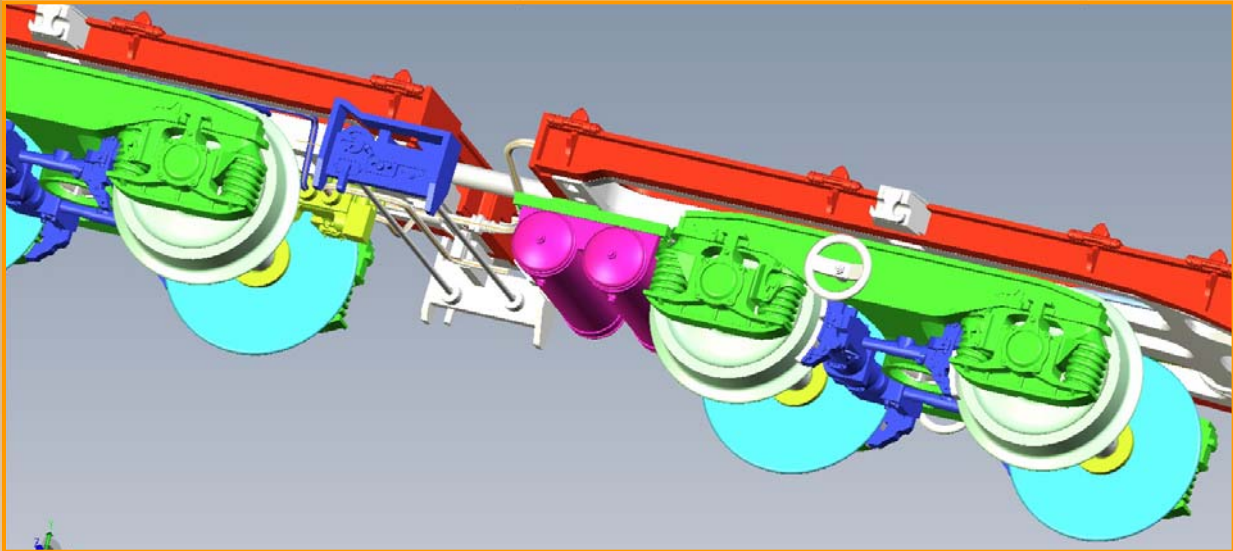
## Innofreight Steel Pallets

Wagons Steel Pallet im auslieferung ab Oktober 2015



# Form Neuheit ?

We can built your products as well



\* complete new models

\* exclusive versions based on our models



[E-mail : contact@b-models.be](mailto:contact@b-models.be)

[www.B-models.be](http://www.B-models.be)