

Auhagen



NEW ITEMS 2020

KITS AND ACCESSORIES FOR MODEL RAILWAYS H0 · TT · N

DIVERSITY, QUALITY, DETAILED LIFE.

Tradition
seit
1885

WWW.AUHAGEN.DE

11 461

Hand pattern model

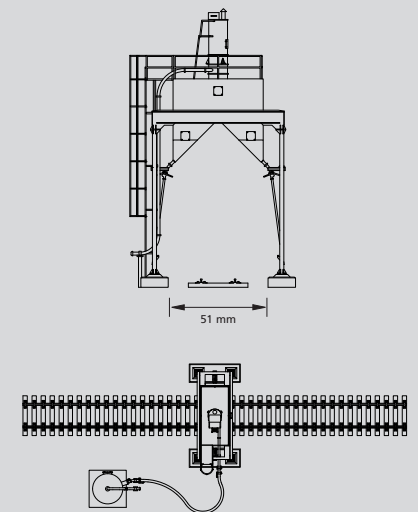


11 461 H0 Sandbox system

Sand is one of the operating materials that every locomotive needs. To increase the friction when starting and braking, especially in difficult weather conditions, sand from the locomotive's sandbox is sprinkled between the wheel and rail via pipes. The sand, as well as coal and water, was refilled in the depots. The Auhagen model is based on a standardised construction that was and still is used, for example in the depots in Berlin-Schöneeweide and Lutherstadt Wittenberg. The model is intricately detailed. You can choose how to position the storage tank next to the tower. Elevations are included for use with bedded tracks.

Authentic historical model
Available from 09/2020
RRP 29.90 EUR

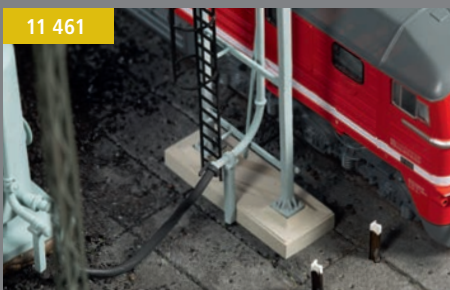
80 x 40 x 141 mm / 37 x 28 x 55 mm



11 461



11 461



11 461



41 659

Hand pattern model



**41 659 H0
Loader T170**

The self-propelled T170 loader was produced in the GDR from the mid-1950s and was used on farms and building sites. Powered by its own drive, it could "speed" along at just 3.5 km/h, which is also why it could be towed at up to 20 km/h. The 6.3 m long boom consisting of two tubes was raised and lowered with ropes. With a 10 PS engine, later upgraded to 13 PS, it could lift up to 0.8 t.

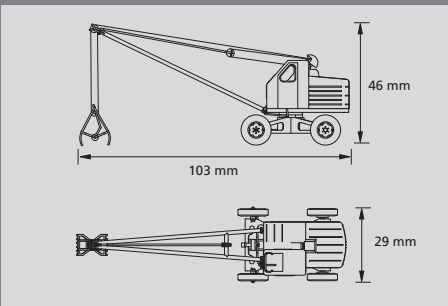
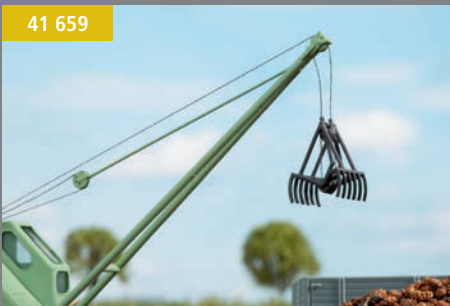
Our intricate kit is an exact replica of the real-life vehicle. The model can be rotated 360° on a chassis equipped with a steerable front axle. The boom, which can be tilted to different angles, can be fitted with a grapple or a manure fork.

With authentic imprint and tyres.
Authentic historical model
Available from 09/2020
RRP 31.50 EUR

41 659



41 659



41 663



41 664



41 665



**41 663 H0
Buffer**

Filigree kit. Replica of a buffer with rail profiles bolted with gusset plates. For placing on the tracks. The two finely detailed models are each fitted with an Sh0 signal and track-closure signal board.
Can be used from Era II onwards.
2 pieces
Available from 09/2020
RRP 8.90 EUR

24 x 29 x 18 mm

**41 664 H0
Curved buffer**

Filigree kit. Replica of a buffer with curved rail profile and buffer rods. For putting at the end of the tracks. The finely detailed models feature built-on buffers. Each model is fitted with a Sh0 signal and track-closure signal board.
Can be used from Era I onwards.
2 pieces
Available from 09/2020
RRP 11.90 EUR

54 x 30 x 21 mm

**41 665 H0
Timber buffer**

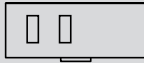
Ready-made. Replica of a buffer with timber planks buried vertically in a box shape. For putting at the end of the tracks. The very finely textured timber planks featured at the model are laser-cut from real wood. The box filling is planted with greenery, and the model includes an Sh0 signal and track-closure signal board. Can be used from Era I onwards. 1 piece
Available from 09/2020
RRP 15.90 EUR

25 x 31 x 21 mm

11 460

B-A-U
KASTEN
System

11 460 H0 Car workshop



This basic model from our modular system includes an extensive range of accessories for designing a small car workshop. The gate can be installed in an open position, allowing a good view of the extensive interior furnishings such as workbenches with drawers and vices, steel cabinets and shelves, a compressor with accessories, individual tools and much more. The additional interior walls and the floor are made from realistic-looking printed card. One thing that is sure to catch the eye is the moveable scissor lift (by VEB Hebebühnen Lunzenau) with a maximum load capacity of 2 t. The access ramp in the outside area, featuring a track width that can be built in different sizes, is available for underbody maintenance. Several drums, including some with dents, along with lubricants and maintenance products, give the impression of a model workshop in good demand.

Available from 07/2020
RRP 49.90 EUR

153 x 64 x 67 mm

11 460

B-A-U
KASTEN
System

11 460

B-A-U
KASTEN
System

11 460

B-A-U
KASTEN
System

41 666



41 666 H0 Workshop equipment

Use this accessory set to furnish workshop areas, such as in industrial buildings, with realistic-looking equipment. Workbenches with movable drawers and vices as well as cabinets with doors that can be mounted open or closed are complemented by two compressors with accessories and fire extinguishers. Euro pallets are included for expandable heavy-duty shelving.

Available from 07/2020
RRP 19.90 EUR

41 657



Hand pattern model

**41 657 H0
Multicar M22 with water tank**

Water tank vehicle kit based on the Multicar M22. The original 1600-litre tank is filled with a suction hose, which is stored and transported around the tank when not in use. A hose reel and the motor-hydraulic pump are housed on the rear side of the authentic-looking printed container, where they are protected from the weather. With realistic tyres, pivoting front axle and a printed sheet containing national and international number plates.

**Available from 07/2020
RRP 23.90 EUR**

39 x 15 x 22 mm

41 657



41 657



41 658



**41 658 H0
Vehicle accessories**

The cargo and other accessories are perfect for designing building sites. The Multicar M22 with flat bed No. 41 644 and trailer No. 41 642 can now be equipped with sand cargo, as can dumper No. 41 641 from the Auhagen vehicle range. Tipped sand piles in various sizes as well as buckets, shovels, brooms, a wheel barrow and a grout box compete the building site scene. The raised panel walls can be used for coal trade vehicles, for example. The parts can be inserted individually, making their use flexible.

**Available from 03/2020
RRP 12.50 EUR**

41 658



41 658



41 658



41 662



41 662 H0 Telephone boxes and postboxes

In today's world of mobile telephony, it's hard to imagine that you once had to queue to make a telephone call. A sign saying "keep it short" made absolute sense. The 4 telephone boxes are complemented by 2 pillar boxes and 4 wall-mounted postboxes.
Available from 07/2020
RRP 9.50 EUR

12 x 12 x 25 mm

41 660



41 660 H0 Heavy-duty shelving and pallets

The expandable industrial shelving can be built in different variants. The shelves can be added as needed. The 24 Euro pallets in two versions and 4 metal boxes can be used to complete the design of your layout. Shelf with 9 stands and 27 shelves.
Available from 03/2020
RRP 14.90 EUR

136 x 12 x 44 mm

41 667



41 667 H0 Pallets

The Euro pallets in H0 can be used to load vehicles, create loading scenes or build large pallet warehouses. A pack contains 80 "standard" pallets and 16 pallets with stacking frames, each in two different versions (new and used pallets).
Available from 03/2020
RRP 14.50 EUR

14 x 9 x 1,8 mm
14 x 9 x 4 mm

41 661



41 661 H0 Street lights

Replicas. These RSL1 lights were a part of the street landscape in the GDR from the 1960s onwards. Mostly mounted on concrete poles, they still illuminate streets and squares in many towns and municipalities today. The round disc lights, called Rundscheibenleuchte in German, get their name from the discs made of curved textured glass held by metal brackets. These replicas are ideal for designing residential areas, parks or streets.
8 pole luminaires height 64 mm
Available from 07/2020
RRP 13.90 EUR

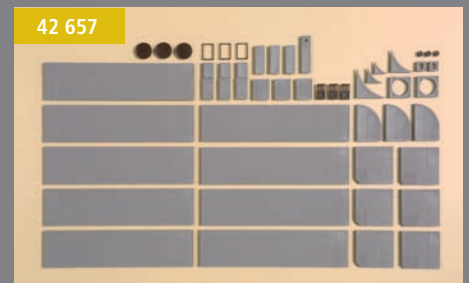
42 657



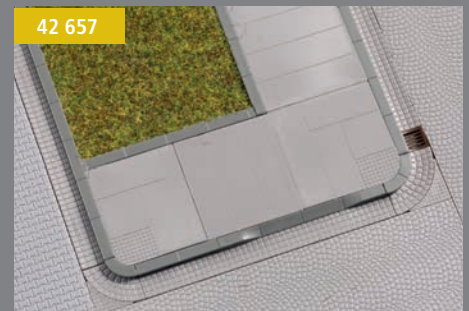
42 657 H0/TT Pavement slabs with accessories

Our pavement slabs go with the kerbs and gutters No. 42 656. Special corner pieces for different radii allow you to easily design authentic-looking pavements. Slabs with fixtures for the included storm drain and manhole cover, as well as perforated elements for the custom fitting of street lighting, complement the modular system. Can also be combined with items such as tree grilles No. 42 658 and young trees No. 70 950 / 70 951.
Total length of straight pieces 828 mm
Available from 03/2020
RRP 16.90 EUR

42 657



42 657





70 950



70 950

70 950 H0/TT/N
Young trees

10 newly planted broad-leaved trees, still supported by tree stakes and with ties, are waiting to take their place on your model train layout. Foliage for the leaves is included in the kit. The small floor panels fit into the grid of the pavement slabs No. 42 657 and can be complemented with tree grilles No. 42 658.

10 pieces

Available from 03/2020

RRP 19.90 EUR

23 x 23 x 42 mm



42 658

42 658 H0/TT
Tree grilles

In some places, the soil around trees is covered with metal grilles to protect the roots. They are an excellent addition to the young trees No. 70 950 in the grid of the coordinating pavement system No. 42 657. Made from sturdy laser-cut card. To find out more, read our handcraft tip in the catalogue or at www.auhagen.de.

5 pieces

Available from 03/2020

RRP 7.50 EUR

23 x 23 mm



70 951



70 951

70 951 H0/TT/N
Young winter trees

It is the first winter on the road for the young trees. They have grown well; after all, they were always given plenty of water. The soil rings around the trunk are proof of this.

10 pieces

Available from 03/2020

RRP 13.90 EUR

23 x 23 x 42 mm

13 346



43 667



43 667 TT Telephone boxes and postboxes

In today's world of mobile telephony, it's hard to imagine that you once had to queue to make a telephone call. The 4 telephone boxes are complemented by 2 pillar boxes and 4 wall-mounted postboxes.
Available from 03/2020
RRP 8.50 EUR

8 x 8 x 19 mm

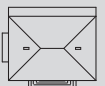
13 346



13 346



13 346 TT Post office



The post office was built at the turn of the century, but it has undergone many changes and is now fit for the modern postal service. New features in keeping with the period include an extension for the porter and a loading ramp in the yard that is protected by a lean-to roof. The four transport carts can be loaded with parcels. Featuring wall lamps, postboxes and a flagpole with flag, the street facade also looks impressive. Four telephone boxes are included and can also be positioned in the surrounding streets. The Postamt lettering and the window grilles are made from sturdy laser-cut card.
Available from 07/2020
RRP 27.90 EUR

143 x 137 x 98 mm

43 665



43 665 TT Enclosure

Brick walls are a stylish way to make a boundary around a plot of land. Ample wall segments are provided in various combinations, along with four individual columns, so that even larger model yards can be separated. Capstones for the columns are included. The large gate for vehicles and the small one for pedestrians are made from sturdy laser-cut card.
Length 800 mm
Gate width 40 mm and 10 mm
Available from 03/2020
RRP 19.90 EUR

43 662



Hand pattern model

43 662 TT
Postal Multicar M22 with trailer

Kit in the characteristic yellow of the German postal service with tarpaulins and black chassis. Driver's cab is authentically printed and can be fitted with rear-view mirrors.
Multicar 28 x 11 x 18 mm
Trailer 27 x 11 x 18 mm
Available from 07/2020
RRP 19.90 EUR

43 662



43 662



43 664



43 666



43 663



43 666 TT
Street lights

Replicas. These RSL1 lights were a part of the street landscape in the GDR from the 1960s onwards. Mostly mounted on concrete poles, they still illuminate streets and squares in many towns and municipalities today. The round disc lights, called Rundscheibenleuchte in German, get their name from the discs made of curved textured glass held by metal brackets. These replicas are ideal for designing residential areas, parks or streets.
8 pole luminaires height 47 mm
Available from 03/2020
RRP 13.50 EUR

43 663 TT
Electric postal trolley with trailer

Electric trolleys, which also had trailers, were used for short transport tasks such as on the premises of a railway post office. Letters and parcels were stored in the strip-wood box body to protect them from the wind and weather. The models are in the characteristic yellow of the German postal service and have grey roofs and black chassis. The spare tyre on the trailer completes the detailed kit.
Electric trolley 27 x 10 x 17 mm
Trailer 27 x 10 x 17 mm
Available from 07/2020
RRP 19.90 EUR

43 664 TT
Commercial postal vehicle

Ready-made. The set consisting of a pickup and van includes two vehicles in the characteristic yellow of the German postal service for deliveries and two grey variants with rotating flashing lights for the telecoms repair service. With authentic imprint.
2 vans in yellow and grey
36 x 15 x 16 mm
2 Pickup trucks in yellow and grey
36 x 15 x 13 mm
Available from 07/2020
RRP 19.50 EUR

43 668



43 670



43 669



43 670



43 668 TT Buffer

Filigree kit. Replica of a buffer with rail profiles bolted with gusset plates. For placing on the tracks.

The two finely detailed models are each fitted with an Sh0 signal and track-closure signal board. Can be used from Era II onwards. 2 pieces

Available from 07/2020
RRP 8.50 EUR

17 x 21 x 13 mm

43 669 TT Curved buffer

Filigree kit. Replica of a buffer with curved rail profile and buffer rods. For putting at the end of the tracks. The finely detailed models feature built-on buffers. Each model is fitted with a Sh0 signal and track-closure signal board. Can be used from Era I onwards. 2 pieces

Available from 07/2020
RRP 11.50 EUR

39 x 22 x 17 mm

43 670 TT Timber buffer

Ready-made. Replica of a buffer with timber planks buried vertically in a box shape. For putting at the end of the tracks. The very finely textured timber planks are laser-cut from real wood. The box filling is planted with greenery, and the model includes an Sh0 signal and track-closure signal board. Can be used from Era I onwards. 1 piece

Available from 07/2020
RRP 14.90 EUR

18 x 22 x 16 mm

44 652



44 652 N Telephone boxes and postboxes

In today's world of mobile telephony, it's hard to imagine that you once had to queue to make a telephone call. The 4 telephone boxes are complemented by 2 pillar boxes and 4 wall-mounted postboxes.

Available from 09/2020
RRP 8.50 EUR

6 x 6 x 14 mm

44 651



44 651 N Street lights

Replicas. These RSL1 lights were a part of the street landscape in the GDR from the 1960s onwards. Mostly mounted on concrete poles, they still illuminate streets and squares in many towns and municipalities today. The round disc lights, called Rundscheibenleuchte in German, get their name from the discs made of curved textured glass held by metal brackets.

These replicas are ideal for designing residential areas, parks or streets.

8 pole luminaires height 35 mm

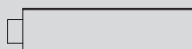
Available from 09/2020
RRP 11.90 EUR

14 486



Hand pattern model

14 486 N
Overhead crane

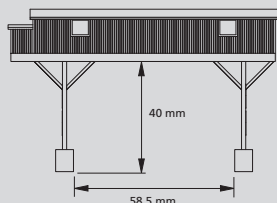


With an overhead crane, freight can be transferred from a wagon to a lorry or between two wagons. Our model is a replica of a stationary variant on a concrete base. The wood panelling protects the crane trolley from the weather; its grapple can also be fitted with a magnet for scrap metal. There is a ladder made from sturdy laser-cut card for maintenance work.

Available from 09/2020
RRP 24.90 EUR

96 x 22 x 60 mm

14 486



14 486



44 653



44 653 N
Buffer

Filigree kit. Replica of a buffer with rail profiles bolted with gusset plates. For placing on the tracks. The two finely detailed models are each fitted with an Sh0 signal and track-closure signal board. Can be used from Era II onwards. 2 pieces

Available from 09/2020
RRP 8.50 EUR

13 x 16 x 10 mm

44 654



44 654 N
Curved buffer

Filigree kit. Replica of a buffer with curved rail profile and buffer rods. For putting at the end of the tracks. The finely detailed models feature built-on buffers. Each model is fitted with a Sh0 signal and track-closure signal board. Can be used from Era I onwards. 2 pieces

Available from 09/2020
RRP 11.50 EUR

30 x 16 x 13 mm

44 655



44 655 N
Timber buffer

Ready-made. Replica of a buffer with timber planks buried vertically in a box shape. For putting at the end of the tracks. The very finely textured timber planks featured at the model are laser-cut from real wood. The box filling is planted with greenery, and the model includes an Sh0 signal and track-closure signal board. Can be used from Era I onwards. 1 piece

Available from 09/2020
RRP 13.90 EUR

13 x 17 x 12 mm



*Tradition
seit
1885*

WWW.AUHAGEN.DE

YOUR MODEL RAILWAY DEALER

Our new catalog No. 16 was published in February 2020 and valid for 2 years. You can obtain a copy from your dealer or direct from us for 4,00 EUR plus postage.

Auhagen GmbH

OT Hüttengrund 25
09496 Marienberg/Erzgeb.
Tel.: + 49 (0) 37 35 . 66 84 66
Fax: + 49 (0) 37 35 . 66 84 33
E-Mail: info@auhagen.de
www.auhagen.de

